



GSEC Gas Safety System

The **GSEC** system is the most intelligent and safety for LPG leak detected system which the system consist of;

- 1) The **GSEC** Monitor and Control Module
- 2) The **GSEC** Gas detector
- 3) The **GSEC** Automatic control Valve
- 4) The **GSEC** Remote Graphic display (option)

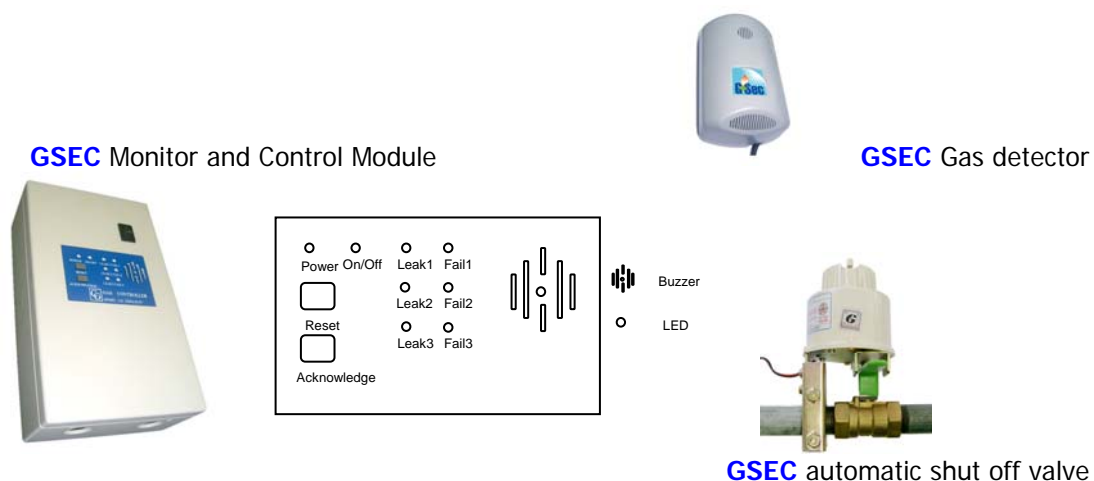
How system operated?

GSEC is LPG gas Safety System designed to be installed in the high risk area for LPG leakage like kitchen, canteen, restaurant, LPG plant etc. The system is fully detect, alarm and automatic shut off system valve

The system will be activated when gas leakage was detected by **GSEC** Gas detector then the **GSEC** Monitor and Control Module will automatic alarm and send automatic shutting off command to **GSEC** Automatic control Valve then the valve be turned off automatically to stop leakage.

The most safety is the system not allows resetting if the problem was not fixed. The operator has to press Acknowledge button and fixed the problem before system resetting to make sure all leakage was fixed for most safety reason.

The Remote Graphic display indicate each leakage **GSEC** Monitor and Control Module location





Diagram

